

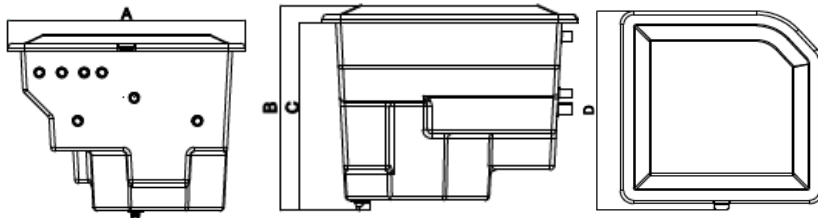
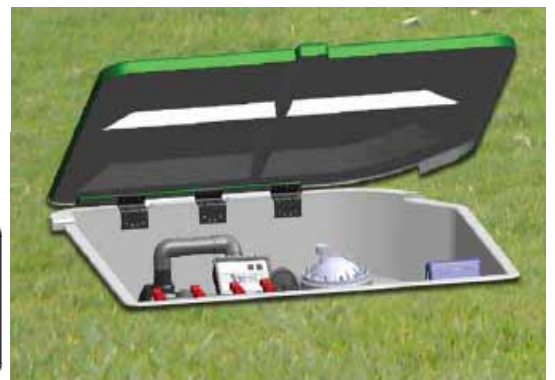


Ultimate Power Pac

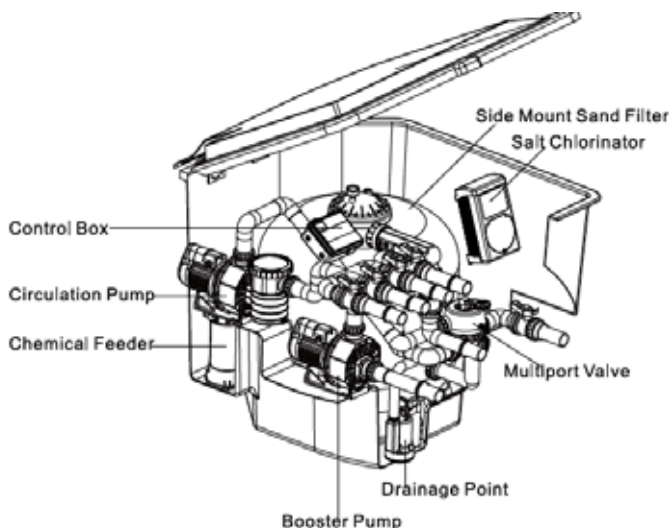
In Ground Combi-Unit

EMAUX Fibreglass filters combined with EMAUX quiet and efficient pumps. Options to suit swimming pools and water Features. All connected up - Plug & Play

- 🌀 Bobbin wound fiberglass & polyester Filter
- 🌀 Matching filter and pump combination
- 🌀 Powerful 2.2Kw Feature / Fountain Pump
- 🌀 Standard with automatic Sump Pump
- 🌀 Chemical Feeder OR *Optional Salt Chlorinator*
- 🌀 Complete with Switchboard and Time Switch
- 🌀 Supplied with Spring struts to help lift and hold lid



CODE	DESCRIPTION	Amm	Bmm	Cmm	Dmm	P1	P2	Sand
FEC14	S650, SS100, SR30 + Feeder	1340	960	860	1250	0.9Kw	2.2Kw	3
FEC22	S700, SC150, SR30 + Feeder	1440	1157	1037	1415	1.3Kw	2.2Kw	5
FEC32	S900, SB30, SR30 + Feeder	1640	1267	1147	1760	2.2Kw	2.2Kw	11



Swimming Pool System

EMAUX In Ground filter systems for quick and efficient installation. The pumps are quiet.

- 🌀 Use filtration system for swimming pool
- 🌀 Use booster pump for spa jets
- 🌀 Use the booster pump for water feature
- 🌀 Use the booster pump for a fountain

3 inlets to filter pump

- 🌀 One for the weir / surface skimmer
- 🌀 One for a bottom drain
- 🌀 One for a vacuum point

Optional Extras

- 🌀 Wireless remote control for the booster pump.
- 🌀 Pool or fountain light transformer 50w to 500w.
- 🌀 Remote control for pool, fountain or garden lights
- 🌀 Up to 6 channels on the remote control
- 🌀 Salt chlorinator with self cleaning electrodes.
- 🌀 UV sterilizer and Zeolite media for Koi Ponds

FEC22 & FEC32 supplied with 2" multi-port valves for better flow rate

Order with all the options required built in and tested, ready for quick and convenient installation