

Water film nozzles

10-6 E to 20-6 E Fan jet nozzles



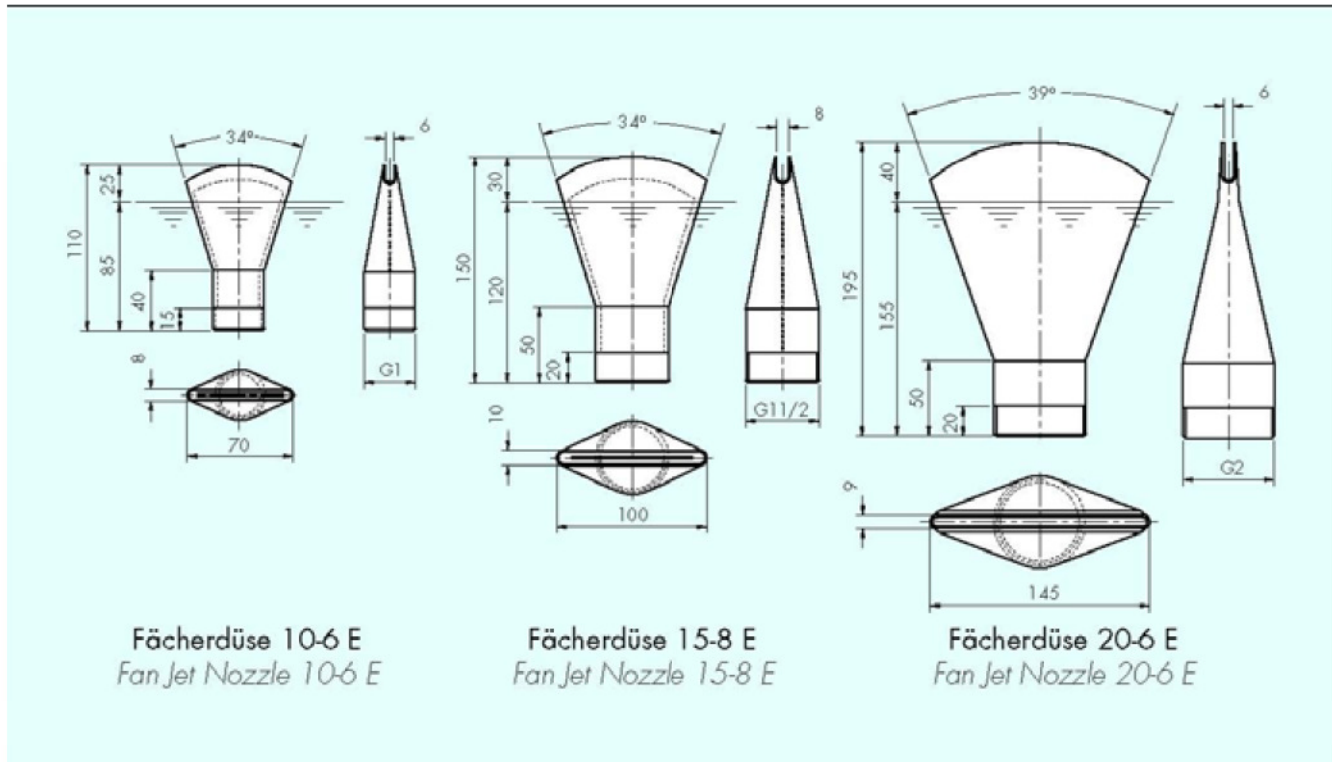
- 🌊 Fan shaped water stream
- 🌊 Universal application
- 🌊 Entirely high-grade steel
- 🌊 Independent from the water level

The OASE fan jet nozzles produce a very compact fan-shaped water pattern with a thickness of 6 to 8mm. These nozzles are ideal for creating vertical or obliquely rising water veils. Because of the wide projection of the water film the nozzle can be used, for instance, to hide unsightly pool floors, pipe work or pumps that are openly situated in the basin. The nozzles run independently to the water level, therefore when setting the adjustment for the water pattern it is necessary to install a throttle.



Water film nozzles

10-6 E to 20-6 E Fan jet nozzles



Fächerdüse 10-6 E
Fan Jet Nozzle 10-6 E

Fächerdüse 15-8 E
Fan Jet Nozzle 15-8 E

Fächerdüse 20-6 E
Fan Jet Nozzle 20-6 E

Hydr. Daten	Fächerdüse 10-6 E				Fächerdüse 15-8 E				Fächerdüse 20-6 E			
Hydr. Data	SPB	DWB	DOB	DOB	SPB	DWB	DOB	DOB	SPB	DWB	DOB	DOB
m	m	L/min	mWS	bar	m	L/min	mWS	bar	m	L/min	mWS	bar
0,25 m	0,60	70,00	0,40	0,04								
0,50 m	1,00	94,57	0,63	0,06	1,40	143,39	0,60	0,06	1,00	181,87	0,57	0,06
0,75 m	1,50	116,43	0,95	0,01	1,80	174,29	0,87	0,09	1,40	222,53	0,84	0,08
1,00 m	2,00	134,81	1,28	0,13	2,80	200,50	1,15	0,11	1,80	256,86	1,11	0,11
1,25 m	2,80	150,98	1,60	0,16	3,40	223,68	1,44	0,14	2,20	287,13	1,39	0,14
1,50 m	3,00	165,58	1,93	0,19	4,00	244,68	1,72	0,17	2,80	314,52	1,67	0,17
1,75 m	3,80	179,01	2,26	0,23	5,00	264,04	2,00	0,20	3,40	339,73	1,95	0,20
2,00 m	5,50	282,08	2,29	0,23	3,60	363,21	2,23	0,22				
2,50 m	4,80	406,17	2,79	0,28								
MA	Edelstahl				Edelstahl				Edelstahl			
GW	0,25 kg				0,49 kg				0,76 kg			
Art.-Nr.	697-560				697-561				697-562			
Id.-Nr.	53056				53047				53057			

FH = Fountain height (m), DWB = Nozzle Water demand (L/min), Ma = Material, GW = Weight (kg)
DOB = Nozzle Pressure demand (meter head, bar),