

Side control button

N = On

F = Off

Control Distance

Underwater 250mm, Max control distance 20m

Underwater 500mm, Max control distance 8m

Working in air, Max control distance 50m

Control Angle

Control Angle < 60°

In swimming pool

A position control A lamp

B position control B lamp

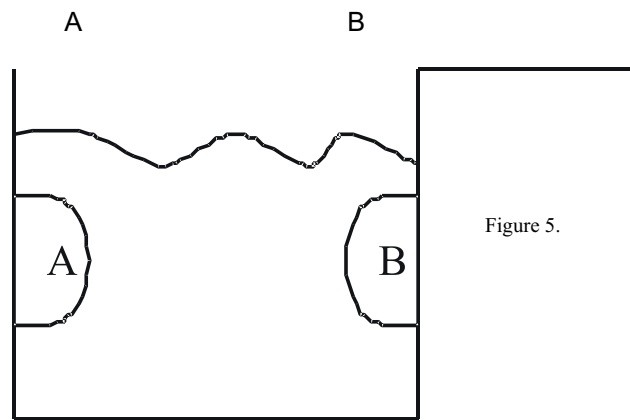
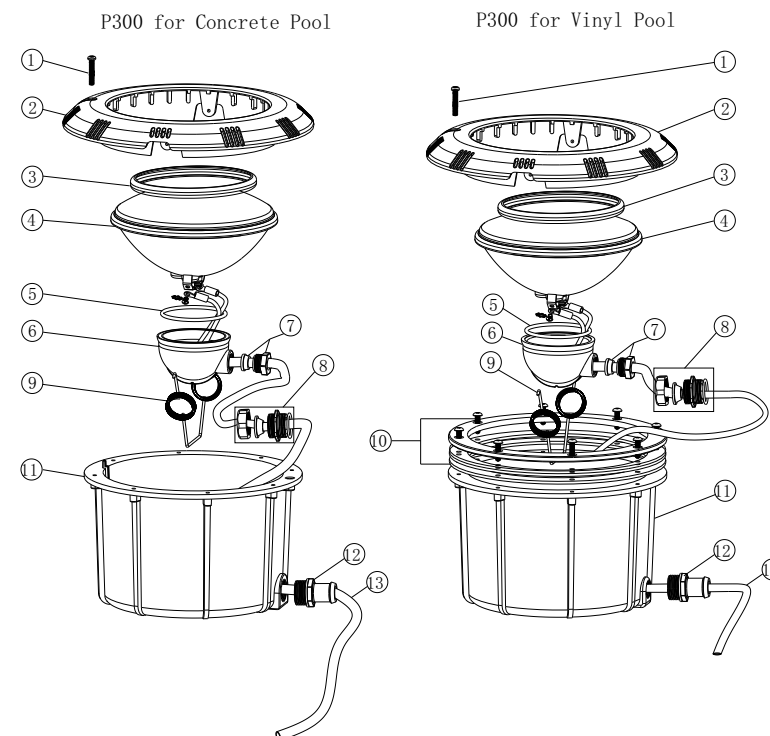


Figure 5.

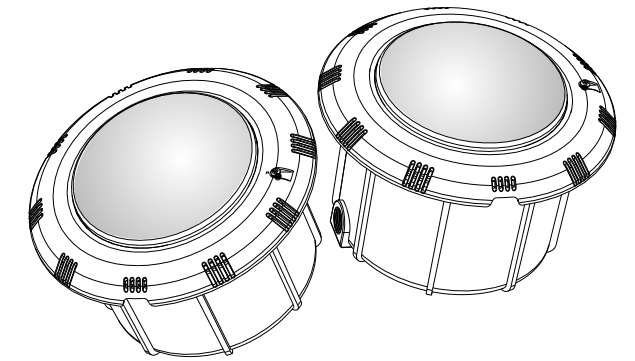
Authorized use in all EU countries, no restriction. Conform to the directive R&TTE 1999/5/CE

REPLACEMENT PARTS



Item	Part Number	Product Description	Qty
1	03011024	M5X40 Screw for Face Plate (Vinyl Pool)	1
	03011020	M5X25 Screw for Face Plate (Concrete Pool)	1
2	01051066	Face Plate (Blank)	1
	01051067	Face Plate (EMAUX)	1
3	02021011	Gasket for Bulb	1
4	89040303	Bulb 12V/300W with M4*6 Screw & Washer	1
	89040305	Par56 (252 Bulbs) LED 12V/16W (White-Colour) With M4*6 Screw & Washer	1
	89040306	Par56 (252 Bulbs) LED 12V/16W (blue Colour) With M4*6 Screw & Washer	1
	89040307	Par56 (252 Bulbs) LED 12V/16W (Automatic Colour Change) With Remote Control & M4*6 Screw & Washer	1
	89040308	Par56 (252 Bulbs) LED 12V/16W (Automatic Colour Change) With M4*6 Screw & Washer	1
	89040309	Par56 (144 Bulbs) LED 12V/10W (White-Colour) With M4*6 Screw & Washer	1
	89040310	Par56 (144 Bulbs) LED 12V/10W (blue Colour) With M4*6 Screw & Washer	1
89040311	Par56 (144 Bulbs) LED 12V/10W (Automatic Colour Change) With M4*6 Screw & Washer	1	
5	02021001	Waterproof O-Ring for bulb	1
6	01271001	Waterproof cover	1
7	89040301	Waterproof O-Ring with Tooth Head for Cable	1
8	89040312	Water Joint Fittings for Cable	1
9	03014002	Spring	1
10	89040304	P300 Lights Vinyl pool fitting	1
11	01171107	P300 Lights Niche	1
12	01171106	Joint for wire & pipe	1
13	04013005	P300 Lights Cable 2.5M	1

UL-P300 / LED-P300 Series Underwater Light User Manual



PLEASE READ THE FOLLOWING CAREFULLY AND KEEP THIS USER MANUAL SAVE FOR FUTURE REFERENCE

DANGER !

RISK OF ELECTRICAL SHOCK OR ELECTROCUTION

This underwater light fixture must be installed by a licensed or certified electrician or a qualified serviceman in accordance to the requirements of your government standard or local authorities. Improper installation will create electric hazards which could result in serious injury, death as well as damage to the property. Before servicing the light, disconnect the power supply from the circuit breaker. Failure to do so could result in serious injury, death and or damage to the property.

INSTALLATION

A. Preparatory steps which must be completed by the electrician before light is installed, see Figure 1.

- Ensure that the electrical system and its wiring for the pool conform to the requirements of your government or your local authorities. The installation of the Underwater Light should only be performed by a licensed electrician.
 - The junction box, or the low voltage transformer for 12 volt Underwater Light model is to be located at least 120CM from the edge of the pool, see Figure 1.
 - The light fixture and all metal parts that are within 240CM of the pool must be properly protected with non-ductile materials and that the connections must be waterproof.
 - The mounting bracket must be properly installed so that the top edge of the Underwater Light lens is at least 45CM below the surface of the water in the pool, see Figure 1.
- Consult the local Government Building Department to be certain that the pool's electrical system meets all applicable requirements.

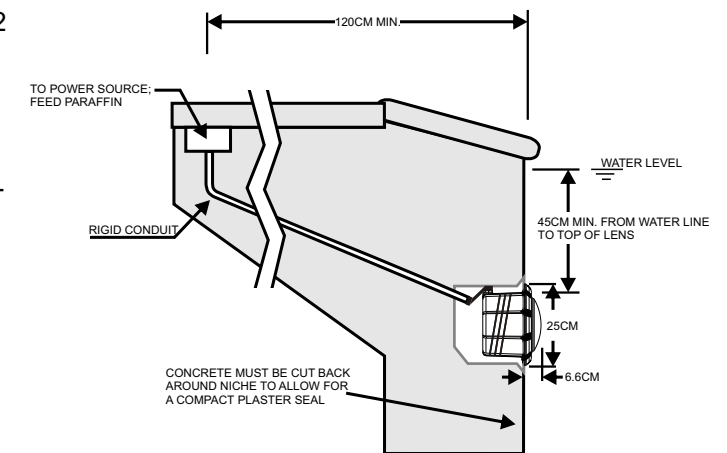


Figure 1.

B. Perform the following steps after the electrical system requirements are met.

1. Locate position on a vertical wall where light is to be installed. The top of the light lens must be 45CM below normal water level, see Figure 1.
2. Connect conduit to midst of Mounting Spacer (left of Bracket), see Figure 3.
3. If pool surface is to be plastered, you must allow proper concrete cutback for plaster thickness. Finish concrete surface must be flush with Mounting Spacer. **CAUTION:** Finish area surrounding Mounting Spacer **MUST** be flat and flush with the face of Mounting Spacer, this ensures a snug fit between light and wall, see Figure 2.
4. After pool surface is finished, trim the Conduit.
5. Wrap a length of the cord up to a maximum of long on the back of the light assembly. This extra cord allows you to bring the light out of the pool for revamping and servicing.
6. Connect cord electrical wires at Junction box, through Conduit, be careful not to pull the 75mm-80mm of slack cord at the light through the conduit when connecting the wires.
7. Connect all wires to the corresponding circuit wires in the junction box and feed paraffin.
8. Secure the junction box cover in place.
9. Before operating the light for more than 10 seconds fill pool until the Underwater Light is completely submerged in water. To check for proper operation turn on main switch or circuit breaker as well as the switch that operates the Underwater Light itself.
10. Rotating Locking System ensures light is secured to bracket, see Figure 2.

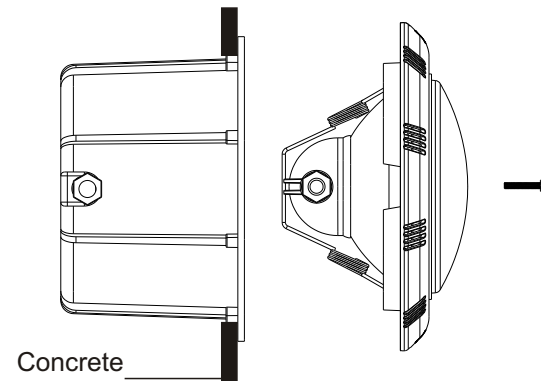


Figure 2.

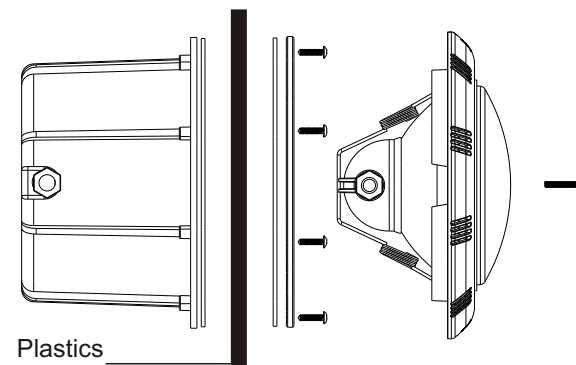


Figure 3.

C. Winterizing: Light should be left in place for winterization.

WARNING

⚠ Never operate this Underwater Light for more than 10 seconds unless it is totally submerged in water. Without total submersion, the light assembly will get extremely hot, which may result in serious injury to pool users, installers, or bystanders, or in damage to property.

⚠ Be sure power is off before installing or removing lamp. Allow lamp to cool before relamping. This light fixture uses a Halogen Quartz lamp. Do Not touch lamp with bare hand, this may severely reduce its life. Use the plastic furnished with the replacement lamp to eliminate finger prints from getting on lamp.

LED PAR56 POOL LAMP SINGLE COLOR, RGB (COLOR CHANGING) BY SWITCH CONTROL & RGB (COLOR CHANGING) WITH REMOTE CONTROL

Please read instructions before installation and keep for future reference.

SPECIFICATIONS

- PAR56LED 144LEDS WHITE, WARM WHITE, RED, BLUE, GREEN
- PAR56LED 144LEDS RGB (COLOR CHANGING)
- PAR56LED 252LEDS RGB (COLOR CHANGING)
- PAR56LED 252LEDS WHITE, WARM WHITE, RED, BLUE, GREEN
- PAR56LED 252LEDS RGB (COLOR CHANGING) SWITCH CONTROL/REMOTE CONTROL
- Transformer: Required
- Output voltage: 12V AC 50-60HZ

This PAR56 LED lamp is compatible with most immersed fixture for pool with PAR56 300W type. Though, please consult your regular retailer before buying and installing this PAR56 LED lamp.

Switch off the power, remove the current PAR56 lamp out and replace the PAR56 LED lamp, following the instructions on user's guide, then seal the fixture with a new silicon rubber ring, otherwise may cause gap exists between lamp and fixture and burn the new lamp.

For remote controller: OPERATION PROCEDURE

- Hold at least one second when press the button:
- Button 1: turns on the lamp, three basic colors Red, Green and Blue all light
- Buttons 2 to 11: various color changing program
- Button 12: turns off the lamp
- For better synchronization effect, please keep at least 5 second when turn on/off the PAR56 LED lamp, then switch off/on again.

PAR56 12 Programs

- 01) RGB (Red, Green and Blue LEDs light)
- 02) B (only Blue LEDs light)
- 03) R (only Red LEDs light)
- 04) G (only Green LEDs light)
- 05) RGB flashing every 4 sec (change color every 4 sec on the frequency of Red, Green and Blue)
- 06) RGB flashing every 8 sec (change color every 8 sec on the frequency of Red, Green and Blue)
- 07) RG/BG/BR flashing every 4 sec (change color every 4 sec on the frequency of RG, BG and BR)
- 08) RG/BG/BR flashing every 8 sec (change color every 8 sec on the frequency of RG, BG and BR)
- 09) RG/BG/BR flashing every 16 sec (change color every 16 sec on the frequency of RG, BG and BR)
- 10) RG/BG/BR flashing every 0.5 sec (change color every 0.5 sec on the frequency of RG, BG and BR)
- 11) RGB flashing every 0.5 sec (change color every 0.5 sec on the frequency of Red, Green and Blue)
- 12) Off

One remote control can be max control 12pieces

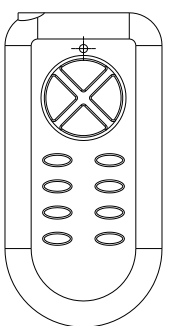


Figure 4.