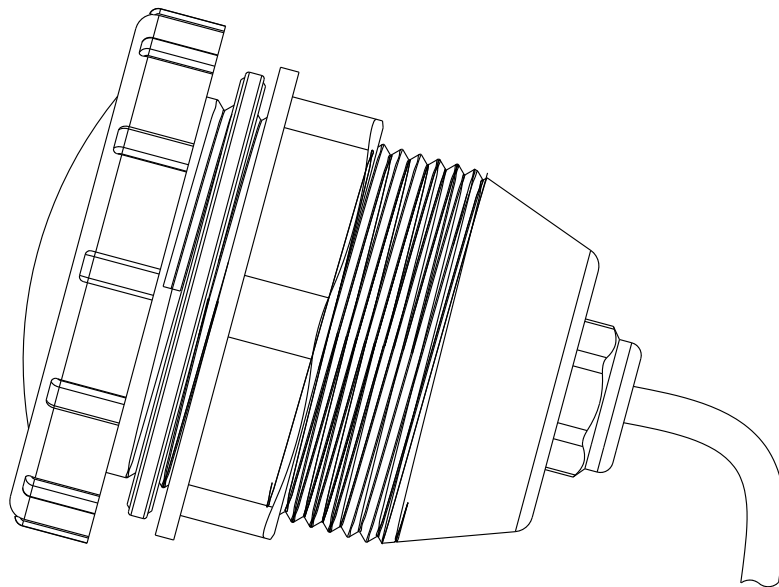




# UL-P50 Series Underwater Light User Manual



***PLEASE READ THE FOLLOWING CAREFULLY AND  
KEEP THIS USER MANUAL SAVE FOR FUTURE REFERENCE***

**DANGER !**

## **RISK OF ELECTRICAL SHOCK OR ELECTROCUTION**

This underwater light fixture must be installed by a licensed or certified electrician or a qualified serviceman in accordance to the requirements of your government standard or local authorities. Improper installation will create electric hazards which could result in serious injury, death as well as damage to the property. Before servicing the light, disconnect the power supply from the circuit breaker. Failure to do so could result in serious injury, death and or damage to the property.

## WARNING

**⚠** Never operate this Underwater Light for more than 10 seconds unless it is totally submerged in water. Without total submersion, the light assembly will get extremely hot, which may result in serious injury to pool users, installers, or bystanders, or in damage to property.

**⚠** Be sure power is off before installing or removing lamp. Allow lamp to cool before relamping. This light fixture uses a Halogen Quartz lamp. Do Not touch lamp with bare hand, this may severely reduce its life. Use the plastic furnished with the replacement lamp to eliminate finger prints from getting on lamp.

## REPLACEMENT PARTS

UL-P50 Underwater Light Replacement Parts			
Item	Part No.	Qty	Description
1	01221001	4	Cover
2	01041019	1	Inside covers
3	04011001	1	Halogen lamp
4	02021010	1	O'ring Seal
5	04011031	1	Lamp seal
6	03011094	2	Bolt
7	03017042	1	lamp holder
8	02021000	1	O'ring Seal
9	01131001	1	Body
10	01021007	1	Screw
11	02021009	1	Sealing o'ring
12	01111036	1	Dent head
13	04013001	1	Electric cable
14	03011150	2	Bolt
15	04014016	2	Line ball hat

