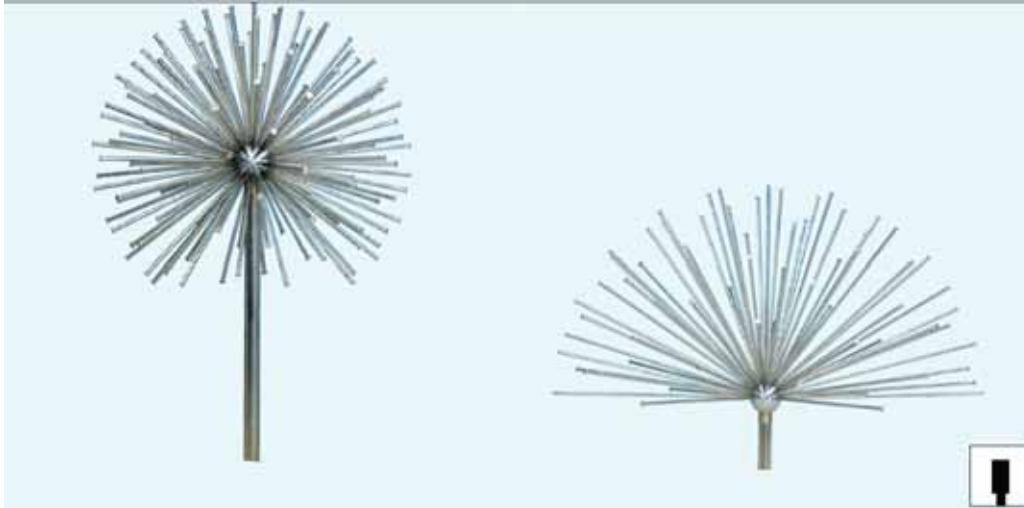


## Sphere effect nozzles

900/37 E to 6000/450 E Water spheres H900/25 E to  
H6000/248 E Water hemispheres



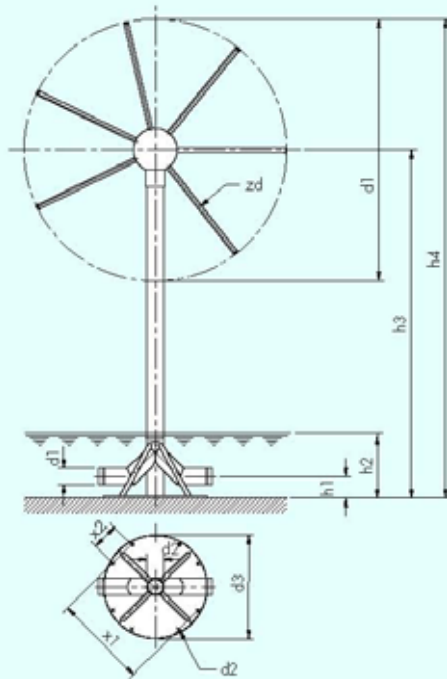
- 🔗 Decorative, high-grade steel sculpture
- 🔗 Impressive water display
- 🔗 Highly wind stable
- 🔗 Independent from the water level

The OASE water sphere and water hemisphere are particularly attractive, the fountain nozzles are mainly made from steel, and even when not in use can be seen as an impressive piece of sculpture. There are many nozzle pipes which are arranged in a regular pattern, the number depends on the size of sphere, producing a fascinating display. Despite the relatively thin vale of water, the sphere and hemisphere can still operate in stronger winds. In an already existing basin there is no problem in expanding the installation, since this can be accomplished with our submersible pumps range.

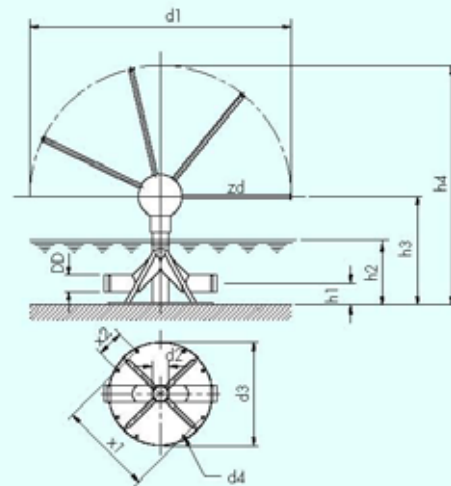


### Sphere effect nozzles

900/37 E to 6000/450 E Water spheres H900/25 E to H6000/248 E Water hemispheres



Wasser-Vollkugel  
Water sphere



Wasser-Halbkugel  
Water hemisphere

Technische Daten	Wasser-Vollkugel			Wasser-Vollkugel			Wasser-Halbkugel			Wasser-Halbkugel		
Technical Data	900/37 E	1200/79 E	1500/127 E	2500/127 E	3500/380 E	6000/450 E	H900/25 E	H1200/49 E	H1500/73 E	H2500/73 E	H3500/210 E	H6000/248 E
zd	37	79	127	127	380	450	25	49	73	73	210	248
DWB L/min.	370	790	1270	1270	4180	6750	250	490	730	730	2310	3720
DDB m.W.S.	10	10	11	12	16	20	9	9	10	11	13	15
DDB bar	1	1	1,1	1,2	1,6	2,0	0,9	0,9	1,0	1,1	1,3	1,5
MBD mm	2000	2500	3000	4500	6000	10000	1500	2000	2500	3500	5000	9000
DD mm	1x DN 65	1x DN 65	2x DN 65	2x DN 65	4x DN 65	6x DN 100	1x DN 65	1x DN 65	1x DN 65	1x DN 65	2x DN 80	3x DN 100
d1 mm	900	1200	1500	2500	3500	6000	900	1200	1500	2500	3500	6000
d2 mm	76	76	76	76	160	220	76	76	76	76	160	220
d3 mm	475	475	475	475	1000	1500	475	475	475	475	1000	1000
d4 mm	12	12	12	12	22	26	12	12	12	12	22	22
h1 mm	100	100	100	100	100	125	100	100	100	100	100	125
h2 mm	300	300	300	400	500	500	300	300	300	400	500	500
h3 mm	1350	1600	1850	2350	4100	6600	500	500	500	600	600	650
h4 mm	1800	2200	2600	3600	5850	9600	950	1100	1250	1850	2350	3650
x1 mm	430	430	430	430	900	1400	430	430	430	430	900	900
x2 mm	123	123	123	123	200	250	123	123	123	123	200	200
MA	Edelstahl/Tombak			Edelstahl/Tombak			Edelstahl/Tombak			Edelstahl/Tombak		
GW kg	32	56	100	160	1100	3100	25	42	65	100	650	1800
Art.-Nr.	666-550	666-551	666-552	666-554	666-575	666-580	666-555	666-556	666-557	666-559	666-585	666-590
Id.-Nr.	50894	50895	50896	51759	51760	51761	50897	50898	50899	51762	51763	51764

FH = Fountain height (m), DWB = Nozzle Water demand (L/min), Ma = Material, GW = Weight (kg)  
DDB = Nozzle Pressure demand (meter head, bar),