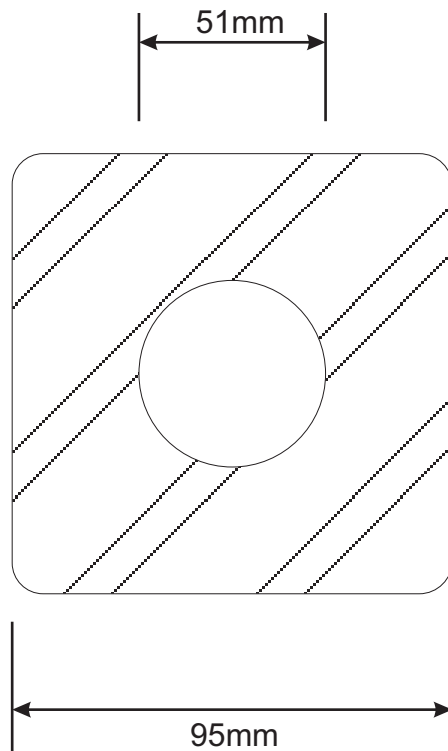
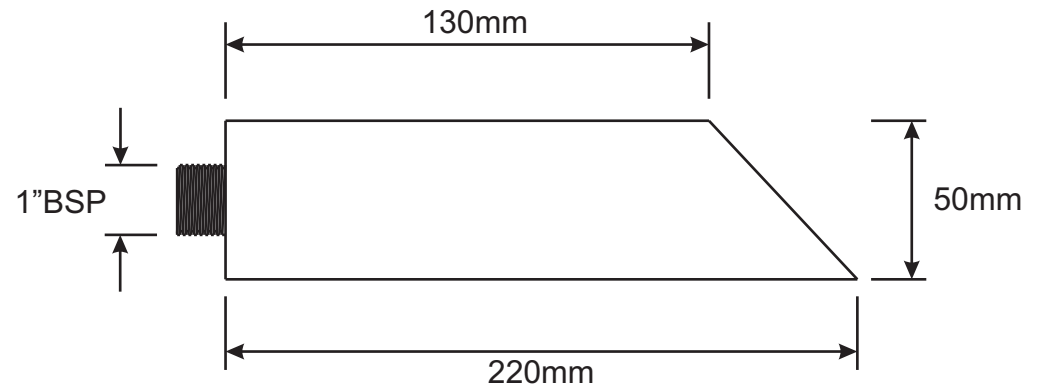


### Backing Plate



### Side View



**POOL SPA & FILTRATION  
SUPPLIES** (Pty) Ltd.

Tel: (011) 793-1381  
Fax: (011) 792-3393  
info@poolspa.co.za

DESCRIPTION

**Waterfeature Spout Straight**

SIZES

**50mm**

SIZE

**A4**

CODE

**WS50**

SCALE

DWG NO

**10**

SHEET