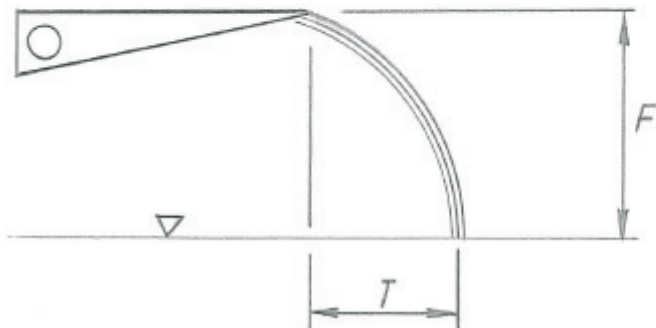
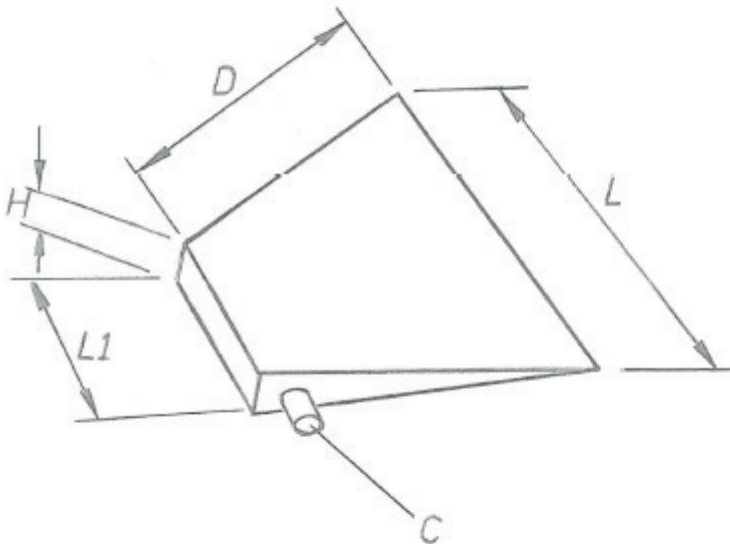


Std Type 1 Letterbox Waterfeature

Check with us if used in salt water pools

Code	L	D	L1	H	C	T	F	Pump Delivery
1/300/S	300	300	220	100	NB 40 Socket	+ 150	+ 550	+ 80 l/min
1/400/S	400	300	320	100	NB 40 Socket	+ 200	+ 650	+ 100 l/min
1/600/S	600	300	520	100	NB 40 Socket	+ 250	+ 700	+ 120 l/min
1/800/S	800	300	720	100	NB 40 Socket	+ 250	+ 750	+ 200 l/min
1/1000/S	1000	300	920	100	NB 40 Socket	+ 250	+ 750	+ 250 l/min



Installation Instructions

- Top to be level, ALWAYS
- Make sure the outlet slot is not closed up
- Leave plastic insert in slot during installation
- Observe the height " F " in above table, greater heights create noise
- Water inlet may be Left or Right
- Water supply must not contain solids greater than 0,5 mm in diameter
- An inline strainer is essential
- Use " Soft Sealer " (like Silicone) around outlet slot