

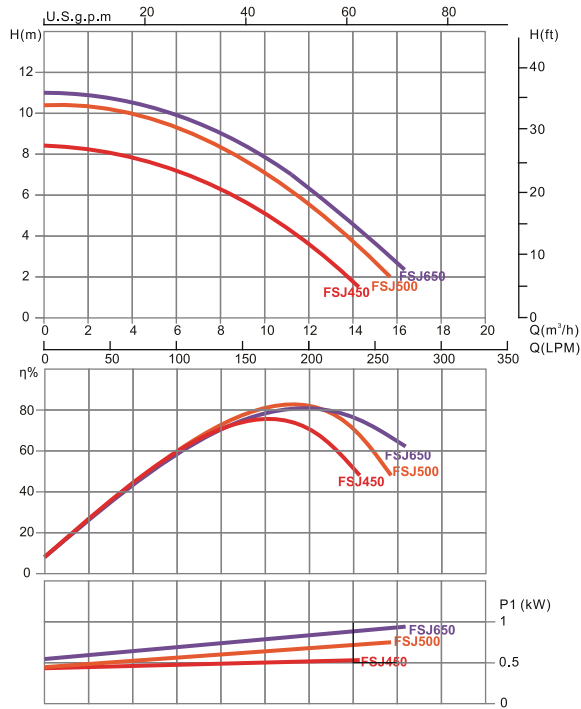


**Highlight Features:**

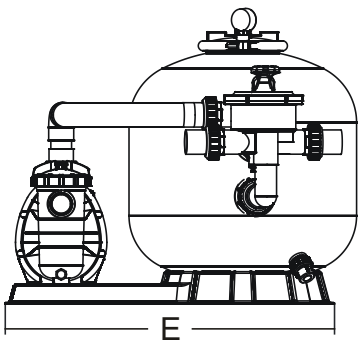
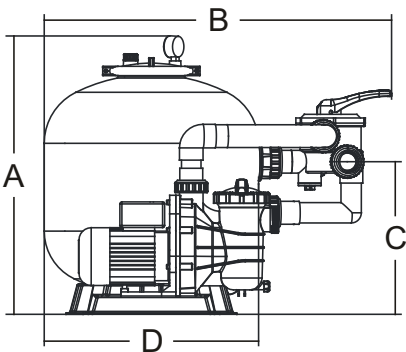
- Suggested Installation: Domestic swimming pool
- Easy installation with pre-installed plumbing system and base
- Simple operation with 4-way multiport valve
- Filter structure with UV resistance material
- Max operating pressure 28psi / 2.0 bar
- Max temperature of 40°C (104 °F)
- Suggested size of media : 0.5-0.8mm

**"FSJ" Series Filtration Combo**

Designed for easy set-up domestic pool, "FSJ" Series filtration combo offers the right solution for home user who is looking for user-friendly and excellent filtration performance. "FSJ" Series Filtration Combo includes side mount plastic filter tank, 6-way multiport valve, swimming pool pumps attached with base.



Remarks: Flow curve information based on 220V/50Hz motor.



**Technical Information**

Code	Model No	Filter	Pump	Valve Connections		Sand(kg)
88032610	FSJ450-6W	SP450	SS050	1.5 inch	50mm	45
88032711	FSJ500-6W	SP500	SS075	1.5 inch	50mm	85
88032812	FSJ650-6W	SP650	SS100	1.5 inch	50mm	145

Note: Suggested sand weight varies with differences in filter media size. For reference only.

**Product Dimension**

Model No	A mm	B mm	C mm	D mm	E mm	Max Flow Rate	
FSJ450-6W	730	790	360	449	760	135lpm	8.10m³/h
FSJ500-6W	770	867	390	527	760	185lpm	11.10m³/h
FSJ650-6W	850	967	430	627	760	260lpm	15.60m³/h



FOR PUMP ONLY

Photos are for reference only, contents are subject to change without prior notice.  
Caution: Filter is not to be used when there is negative pressure

